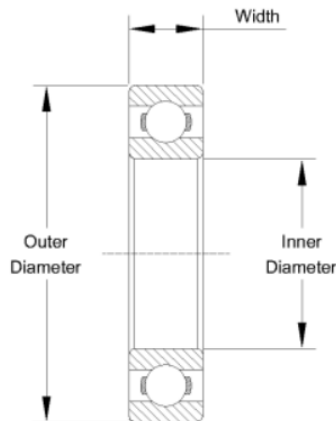




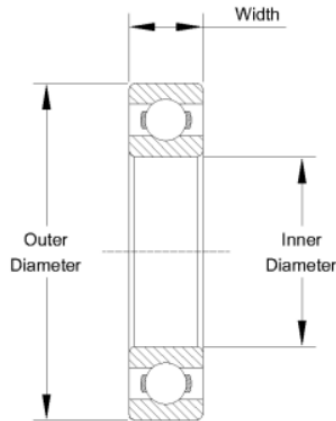
*SMR Series Stainless Steel Miniature Bearings*



Part Number	Bore diameter	Outside diameter	Width	Seal type	Ring material	Ball material	Limiting speed
<a href="#">SMR31</a>	1 mm	3 mm	1.5 mm	Open	Stainless Steel	Stainless Steel	117 X 1000 rpm
<a href="#">SMR41x</a>	1.2 mm	4 mm	1.8 mm	Open	Stainless Steel	Stainless Steel	130 X 1000 rpm
<a href="#">SMR41xzz</a>	1.2 mm	4 mm	2.5 mm	Shielded	Stainless Steel	Stainless Steel	105 X 1000 rpm
<a href="#">SMR52</a>	2 mm	5 mm	2 mm	Open	Stainless Steel	Stainless Steel	76.5 X 1000 rpm
<a href="#">SMR52 2rs</a>	2 mm	5 mm	2.5 mm	Sealed	Stainless Steel	Stainless Steel	76.5 X 1000 rpm
<a href="#">SMR52zz</a>	2 mm	5 mm	2.5 mm	Shielded	Stainless Steel	Stainless Steel	76.5 X 1000 rpm
<a href="#">SMR62</a>	2 mm	6 mm	2.5 mm	Open	Stainless Steel	Stainless Steel	67.5 X 1000 rpm
<a href="#">SMR62 2rs</a>	2 mm	6 mm	2.5 mm	Sealed	Stainless Steel	Stainless Steel	67.5 X 1000 rpm
<a href="#">SMR62zz</a>	2 mm	6 mm	2.5 mm	Shielded	Stainless Steel	Stainless Steel	67.5 X 1000 rpm
<a href="#">SMR72</a>	2 mm	7 mm	2.5 mm	Open	Stainless Steel	Stainless Steel	56.7 X 1000 rpm
<a href="#">SMR72 2rs</a>	2 mm	7 mm	3 mm	Sealed	Stainless Steel	Stainless Steel	56.7 X 1000 rpm
<a href="#">SMR72zz</a>	2 mm	7 mm	3 mm	Shielded	Stainless Steel	Stainless Steel	58.5 X 1000 rpm
<a href="#">SMR82x</a>	2.5 mm	8 mm	2.5 mm	Open	Stainless Steel	Stainless Steel	54 X 1000 rpm
<a href="#">SMR82x 2rs</a>	2.5 mm	8 mm	2.5 mm	Sealed	Stainless Steel	Stainless Steel	54 X 1000 rpm
<a href="#">SMR82xzz</a>	2.5 mm	8 mm	2.5 mm	Shielded	Stainless Steel	Stainless Steel	54 X 1000 rpm
<a href="#">SMR63</a>	3 mm	6 mm	2 mm	Open	Stainless Steel	Stainless Steel	63.9 X 1000 rpm
<a href="#">SMR63 2rs</a>	3 mm	6 mm	2.5 mm	Sealed	Stainless Steel	Stainless Steel	63.9 X 1000 rpm
<a href="#">SMR63zz</a>	3 mm	6 mm	2.5 mm	Shielded	Stainless Steel	Stainless Steel	63.9 X 1000 rpm
<a href="#">SMR83</a>	3 mm	8 mm	2.5 mm	Open	Stainless Steel	Stainless Steel	54 X 1000 rpm
<a href="#">SMR83 2rs</a>	3 mm	8 mm	3 mm	Sealed	Stainless Steel	Stainless Steel	54 X 1000 rpm
<a href="#">SMR83zz</a>	3 mm	8 mm	3 mm	Shielded	Stainless Steel	Stainless Steel	54 X 1000 rpm
<a href="#">SMR93</a>	3 mm	9 mm	2.5 mm	Open	Stainless Steel	Stainless Steel	50.4 X 1000 rpm
<a href="#">SMR93 2rs</a>	3 mm	9 mm	4 mm	Sealed	Stainless Steel	Stainless Steel	50.4 X 1000 rpm
<a href="#">SMR93zz</a>	3 mm	9 mm	4 mm	Shielded	Stainless Steel	Stainless Steel	50.4 X 1000 rpm
<a href="#">SMR74</a>	4 mm	7 mm	2 mm	Open	Stainless Steel	Stainless Steel	54 X 1000 rpm
<a href="#">SMR74 2rs</a>	4 mm	7 mm	2.5 mm	Sealed	Stainless Steel	Stainless Steel	54 X 1000 rpm
<a href="#">SMR74zz</a>	4 mm	7 mm	2.5 mm	Shielded	Stainless Steel	Stainless Steel	54 X 1000 rpm
<a href="#">SMR84</a>	4 mm	8 mm	2 mm	Open	Stainless Steel	Stainless Steel	50.4 X 1000 rpm



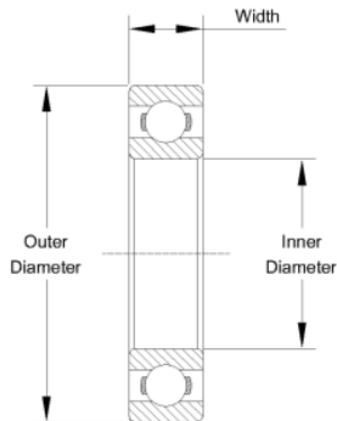
*SMR Series Stainless Steel Miniature Bearings*



Part Number	Bore diameter	Outside diameter	Width	Seal type	Ring material	Ball material	Limiting speed
<a href="#">SMR84 2rs</a>	4 mm	8 mm	3 mm	Sealed	Stainless Steel	Stainless Steel	50.4 X 1000 rpm
<a href="#">SMR84zz</a>	4 mm	8 mm	3 mm	Shielded	Stainless Steel	Stainless Steel	50.4 X 1000 rpm
<a href="#">SMR104</a>	4 mm	10 mm	3 mm	Open	Stainless Steel	Stainless Steel	43.2 X 1000 rpm
<a href="#">SMR104 2rs</a>	4 mm	10 mm	4 mm	Sealed	Stainless Steel	Stainless Steel	43.2 X 1000 rpm
<a href="#">SMR104zz</a>	4 mm	10 mm	4 mm	Shielded	Stainless Steel	Stainless Steel	43.2 X 1000 rpm
<a href="#">SMR85</a>	5 mm	8 mm	2 mm	Open	Stainless Steel	Stainless Steel	47.7 X 1000 rpm
<a href="#">SMR85 2rs</a>	5 mm	8 mm	2.5 mm	Sealed	Stainless Steel	Stainless Steel	47.7 X 1000 rpm
<a href="#">SMR85zz</a>	5 mm	8 mm	2.5 mm	Shielded	Stainless Steel	Stainless Steel	47.7 X 1000 rpm
<a href="#">SMR95</a>	5 mm	9 mm	2.5 mm	Open	Stainless Steel	Stainless Steel	45 X 1000 rpm
<a href="#">SMR95 2rs</a>	5 mm	9 mm	3 mm	Sealed	Stainless Steel	Stainless Steel	45 X 1000 rpm
<a href="#">SMR95zz</a>	5 mm	9 mm	3 mm	Shielded	Stainless Steel	Stainless Steel	45 X 1000 rpm
<a href="#">SMR105</a>	5 mm	10 mm	3 mm	Open	Stainless Steel	Stainless Steel	45 X 1000 rpm
<a href="#">SMR105 2rs</a>	5 mm	10 mm	4 mm	Sealed	Stainless Steel	Stainless Steel	45 X 1000 rpm
<a href="#">SMR105zz</a>	5 mm	10 mm	4 mm	Shielded	Stainless Steel	Stainless Steel	45 X 1000 rpm
<a href="#">SMR115</a>	5 mm	11 mm	4 mm	Open	Stainless Steel	Stainless Steel	40.5 X 1000 rpm
<a href="#">SMR115 2rs</a>	5 mm	11 mm	4 mm	Sealed	Stainless Steel	Stainless Steel	40.5 X 1000 rpm
<a href="#">SMR115zz</a>	5 mm	11 mm	4 mm	Shielded	Stainless Steel	Stainless Steel	40.5 X 1000 rpm
<a href="#">SMR106</a>	6 mm	10 mm	2.5 mm	Open	Stainless Steel	Stainless Steel	40.5 X 1000 rpm
<a href="#">SMR106 2rs</a>	6 mm	10 mm	3 mm	Sealed	Stainless Steel	Stainless Steel	40.5 X 1000 rpm
<a href="#">SMR106zz</a>	6 mm	10 mm	3 mm	Shielded	Stainless Steel	Stainless Steel	40.5 X 1000 rpm
<a href="#">SMR126</a>	6 mm	12 mm	3 mm	Open	Stainless Steel	Stainless Steel	38.7 X 1000 rpm
<a href="#">SMR126 2rs</a>	6 mm	12 mm	4 mm	Sealed	Stainless Steel	Stainless Steel	38.7 X 1000 rpm
<a href="#">SMR126zz</a>	6 mm	12 mm	4 mm	Shielded	Stainless Steel	Stainless Steel	38.7 X 1000 rpm
<a href="#">SMR117</a>	7 mm	11 mm	2.5 mm	Open	Stainless Steel	Stainless Steel	38.7 X 1000 rpm
<a href="#">SMR117 2rs</a>	7 mm	11 mm	3 mm	Sealed	Stainless Steel	Stainless Steel	38.7 X 1000 rpm
<a href="#">SMR117zz</a>	7 mm	11 mm	3 mm	Shielded	Stainless Steel	Stainless Steel	38.7 X 1000 rpm
<a href="#">SMR137</a>	7 mm	13 mm	3 mm	Open	Stainless Steel	Stainless Steel	36 X 1000 rpm
<a href="#">SMR137 2rs</a>	7 mm	13 mm	4 mm	Sealed	Stainless Steel	Stainless Steel	36 X 1000 rpm



*SMR Series Stainless Steel Miniature Bearings*



Part Number	Bore diameter	Outside diameter	Width	Seal type	Ring material	Ball material	Limiting speed
<a href="#">SMR137zz</a>	7 mm	13 mm	4 mm	Shielded	Stainless Steel	Stainless Steel	36 X 1000 rpm
<a href="#">SMR128</a>	8 mm	12 mm	2.5 mm	Open	Stainless Steel	Stainless Steel	36 X 1000 rpm
<a href="#">SMR128 2rs</a>	8 mm	12 mm	3.5 mm	Sealed	Stainless Steel	Stainless Steel	36 X 1000 rpm
<a href="#">SMR128zz</a>	8 mm	12 mm	3.5 mm	Shielded	Stainless Steel	Stainless Steel	36 X 1000 rpm
<a href="#">SMR148</a>	8 mm	14 mm	3.5 mm	Open	Stainless Steel	Stainless Steel	34.2 X 1000 rpm
<a href="#">SMR148 2rs</a>	8 mm	14 mm	4 mm	Sealed	Stainless Steel	Stainless Steel	34.2 X 1000 rpm
<a href="#">SMR148zz</a>	8 mm	14 mm	4 mm	Shielded	Stainless Steel	Stainless Steel	34.2 X 1000 rpm